

107 CATALOG

Web Site: www.kkmfg.com
e-mail: sales@kkmfg.com

Catalogs are also available online.

This catalog covers the
280SL, 300SL, 350SL,
380SL, 450SL, 500SL,
560SL, and SLCs

K&K MFG, INC.

951 NINE MILE ROAD SPARTA, MI 49345 (616) 784 4286 FAX# (616) 784 4296 TOLL FREE ORDER # 1 800 876 4286

WELCOME TO K&K MFG. INC.

We are a major manufacturer of rust repair panels for Mercedes Benz convertibles and sedans from the mid 1950s through the 70s.

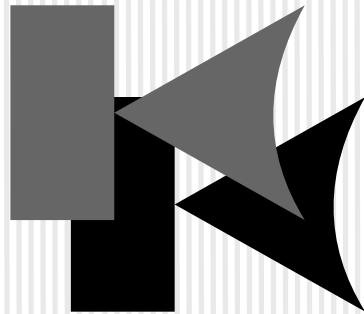
We also stock a full compliment of parts for the convertibles

Extensive inventory from top to bottom and front to back including used parts

Shipping available through UPS, mail, truck service, and international air and ocean

Payment accepted by cash, certified check, Visa, Discover, Mastercard, and American Express

Prices subject to change without notice



K&K MFG, INC.

951 NINE MILE ROAD SPARTA, MI 49345 (616) 784 4286 FAX# (616) 784 4296 TOLL FREE ORDER # 1 800 876 4286

We appreciate the opportunity to send this catalog to you.

We welcome any comments regarding this catalog as it is quite unique in format, due to us making a great effort to make it easy to read and follow. We stock more parts than are illustrated in these pages and many used parts as well. Don't be afraid to ask. Our staff would be more than happy to provide a quote on any other needs for your cars.

Thank you for your interest.

- Tim Kidder

Keep updated with price changes and new offers at: www.kkmfg.com
e-mail: sales@kkmfg.com

GENERAL INFORMATION

ABOUT K&K MANUFACTURING

K&K Manufacturing was started in August of 1982 in the home and garage of Tim & Pat Kidder. We took over making parts for Barry Stuart who started making floor parts for the 190SL. My wife was 7 months pregnant with our second child when I quit my job to go full time into this business. My 3 year old son had to wear safety glasses to watch TV because of my hand cutting steel parts in our living room. We grew from our home into a 12,000 sq ft. building on 11 industrial acres by 1986.

We strongly believe that God has sustained us through these times and blessed this business despite our shortcomings. We believe that God owns everything including K&K Mfg. Inc. and we are privileged to run it. We give honor and glory to God for all He has done for us through the years.

We started making 190SL parts and around 1988 started making parts for the 113 chassis cars, the 230-280SLs, and now the 107 chassis cars, 350-450SLs. We started with rust repair parts and branched into most others, as you will see when you browse through the catalog. We are the world's only manufacturer of many of these parts. Contained in our facility is a pattern shop, tool making, CNC mill, and 6 presses from 50 to 300 tons.

You will receive personalized service from Tim, Cheryl, or Jeff. In addition to manufacturing parts we have also restored over 40 cars, and our employee Rob has done over 120 restorations. This has provided us with a good working knowledge of what it takes. We are constantly striving to be the leader in production parts for the Mercedes Benz coupe and convertible models from the 50's through the 70's. Many of the parts also fit the sedans.

We encourage any suggestions and comments about the catalog or future items to reproduce. Thanks for your interest in our company and may God bless you.

Tim Kidder, owner

WARRANTY:

All parts supplied are of the highest quality possible for a fair price. Being the manufacturer of many of these and having used them ourselves on over 40 restorations we can guarantee your satisfaction on all we make. All other products are subject to the manufacturer's warranties. Warranty of those items is limited to replacement of the defective part. All other liability is waived.

ORDERING INFORMATION

To speed processing your order, please have the year, model, and serial number of your car ready. If you have been issued a customer number, please give us that as well.

Our prices are competitive and included in this catalog but are subject to change without notice as many are tied to exchange rates of the dollar and to fluctuating steel prices.

We stock the highest quality parts possible for each model and manufacture the same.

PAYMENT METHODS:

We accept Visa, Mastercard, Discover, and American Express. CODs are available to business addresses only with payment by certified check or money order. We do not accept personal or business checks. Out of stock parts will only be charged once shipped.

SHIPPING:

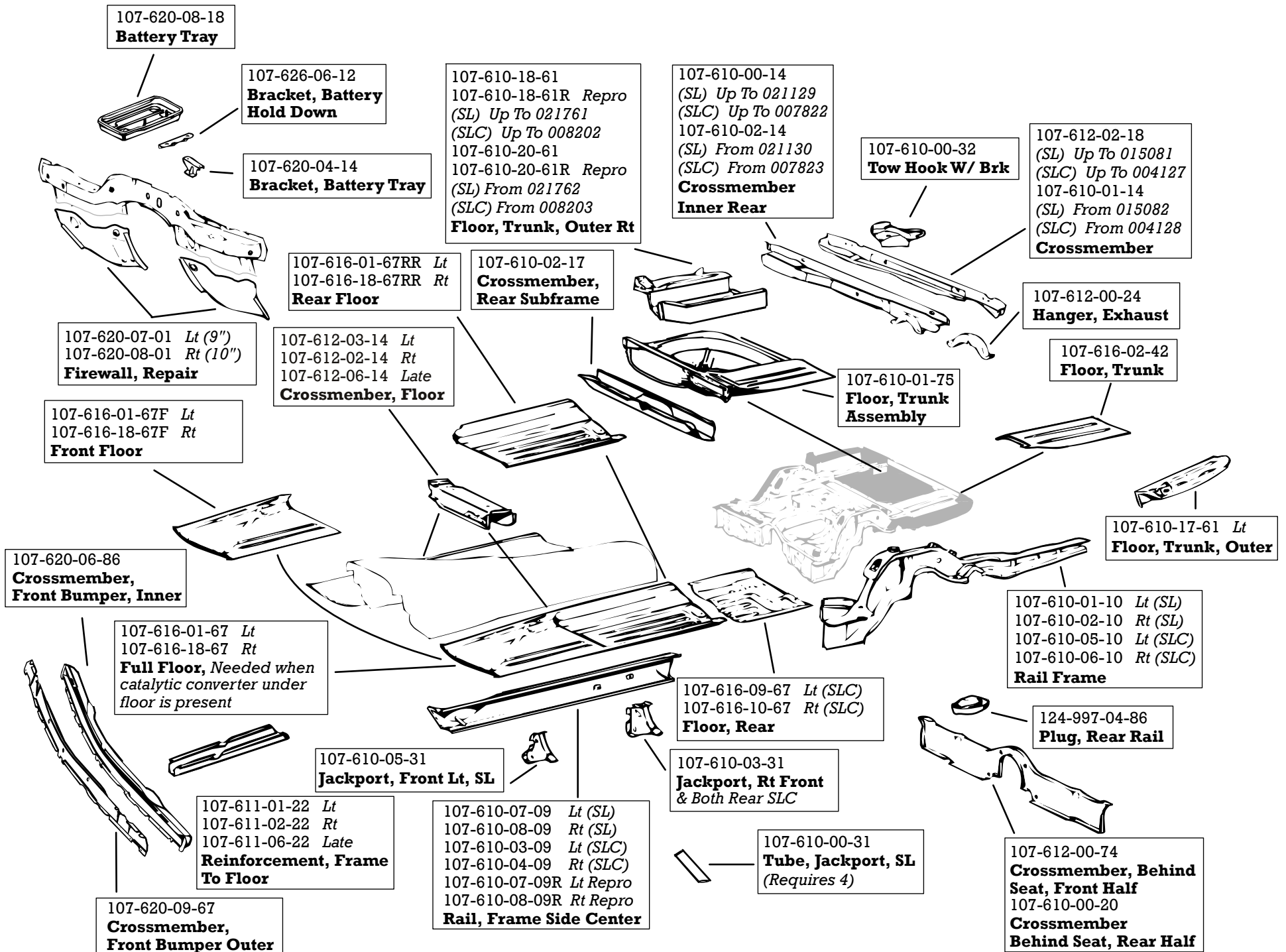
We strive to keep our shipping costs down. We have a daily UPS pick-up and we also use the postal service. Truck shipments are to business addresses only. We welcome international orders and ship through the postal service or through a variety of international shipping services. Packaging and insurance charges are extra and will be added to the order based upon the size of the shipment. Faster shipping methods are available through UPS, mail, or other air freight companies we use.

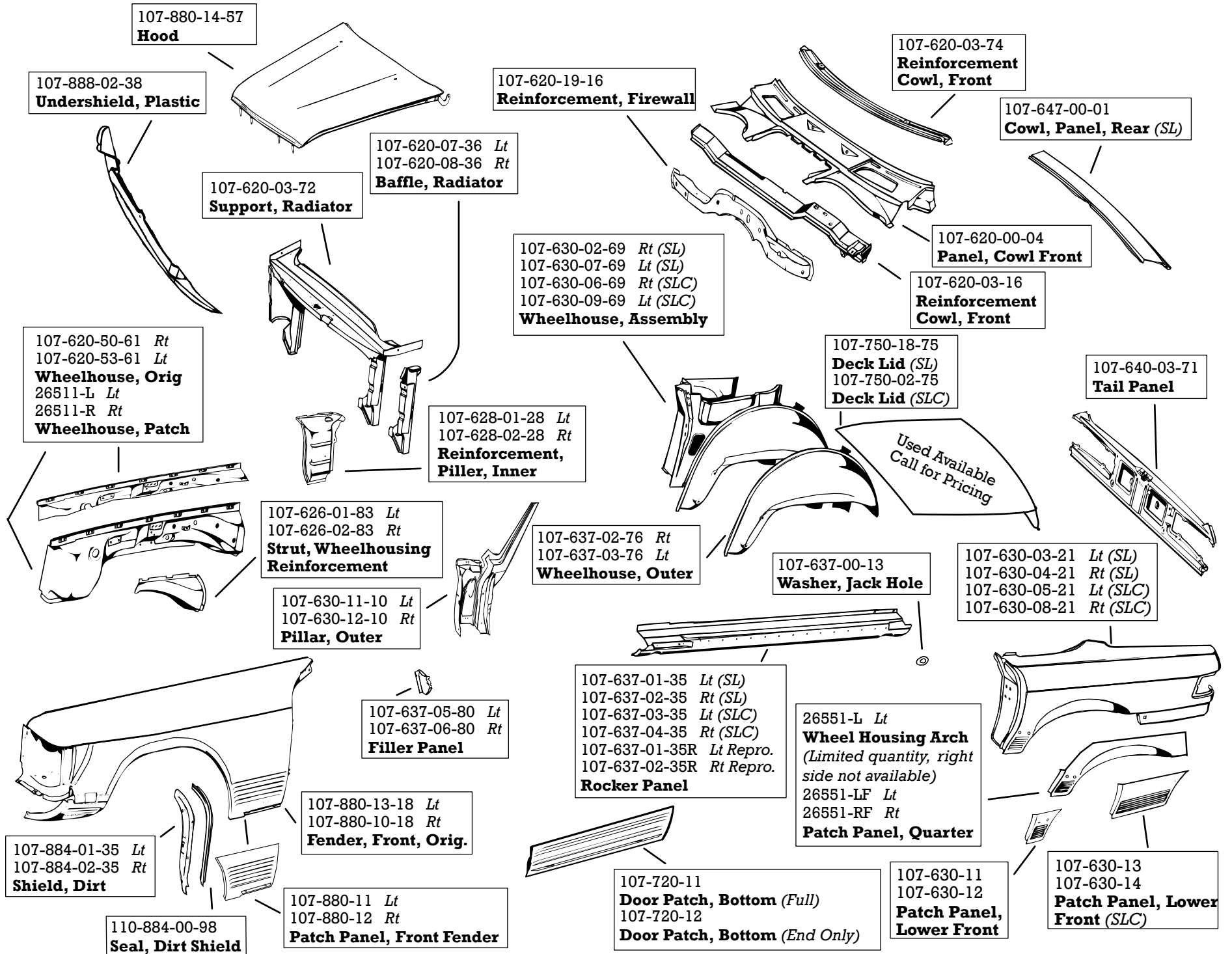
RETURNS:

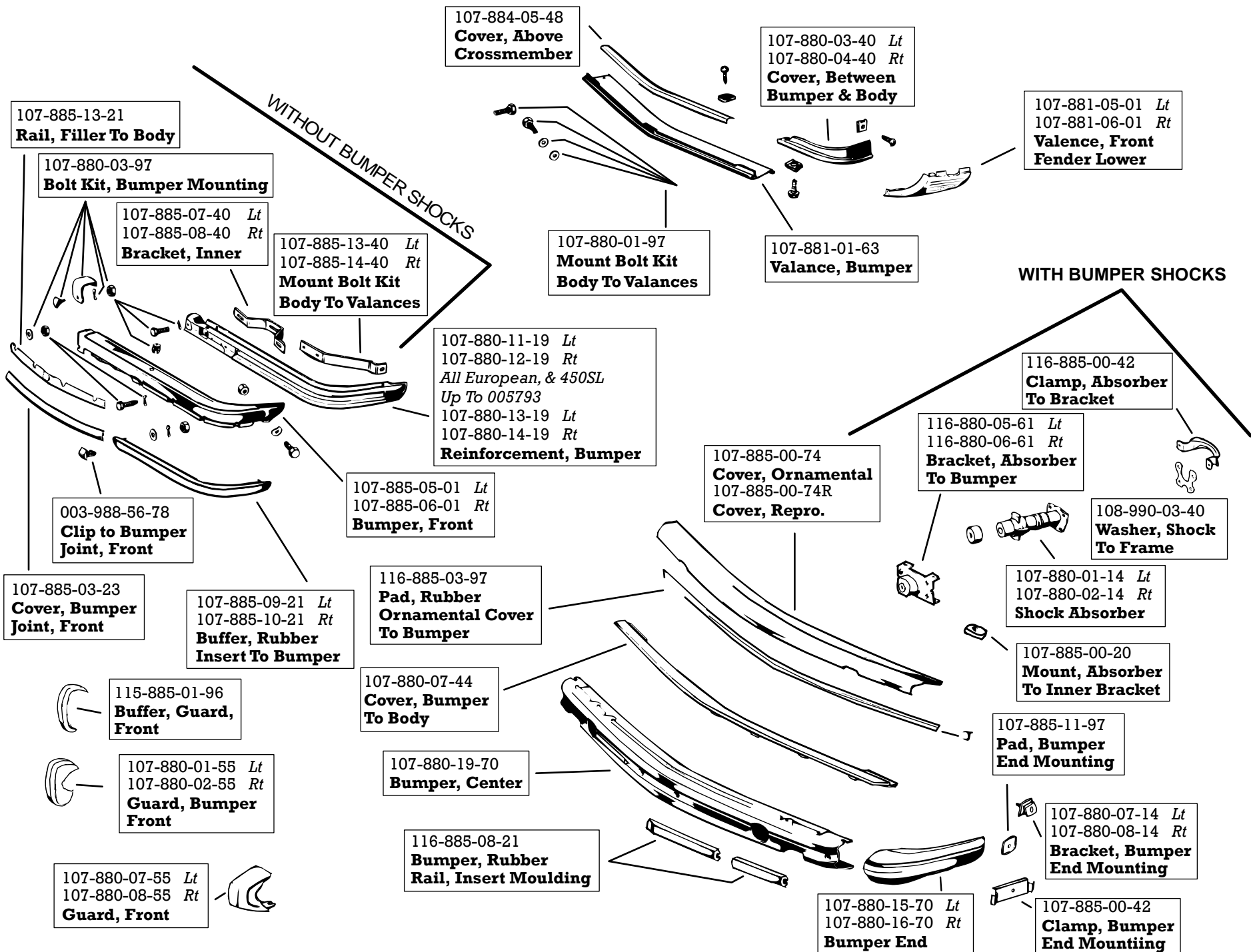
We accept returns of new (good conditioned) items purchased within 60 days. There will be a 15% restocking fee on returns unless the item was shipped in error. Unfortunately, we cannot accept returns of electrical parts, convertible tops, leather or vinyl interior, carpet, or specially ordered items.

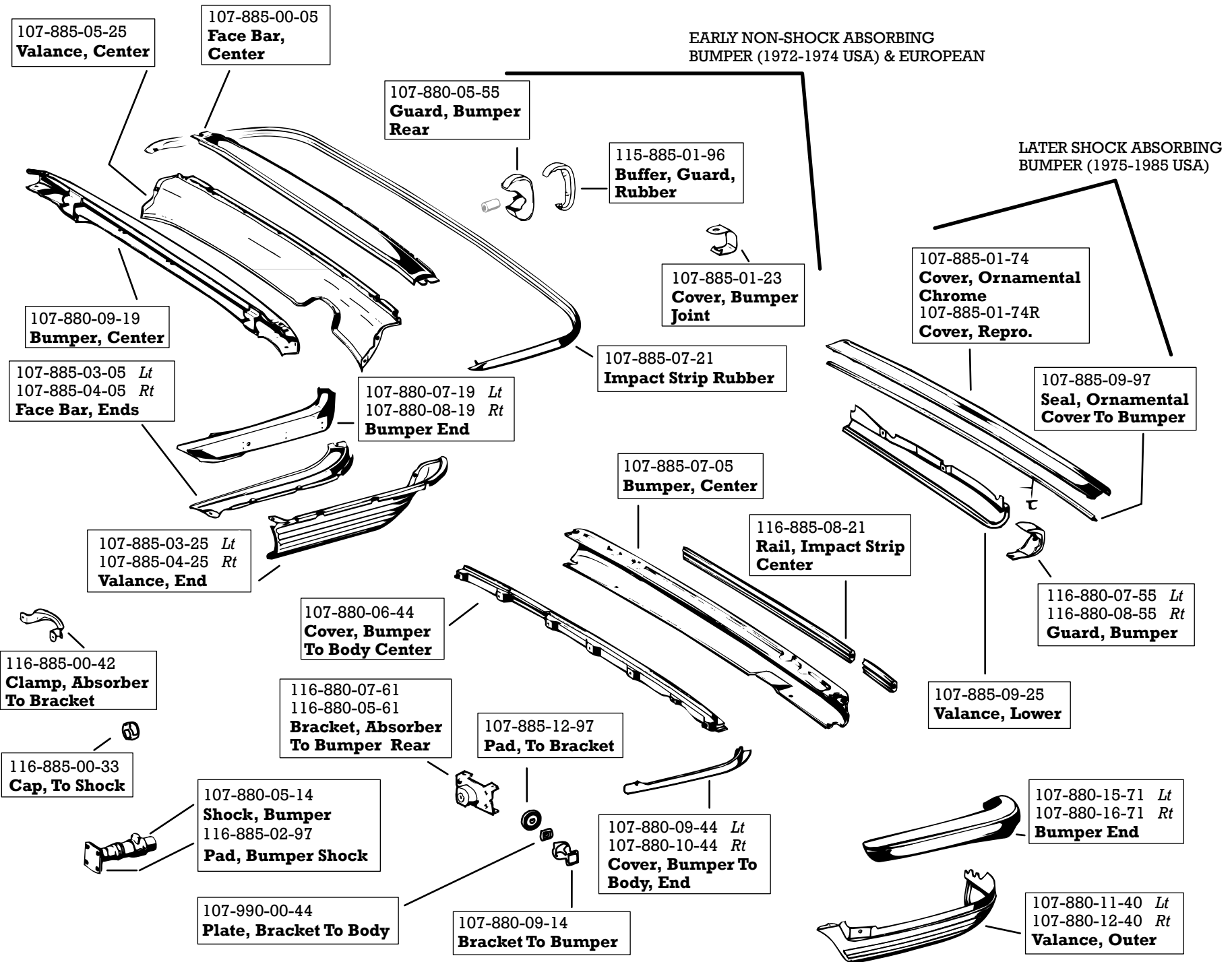
CORE CHARGES:

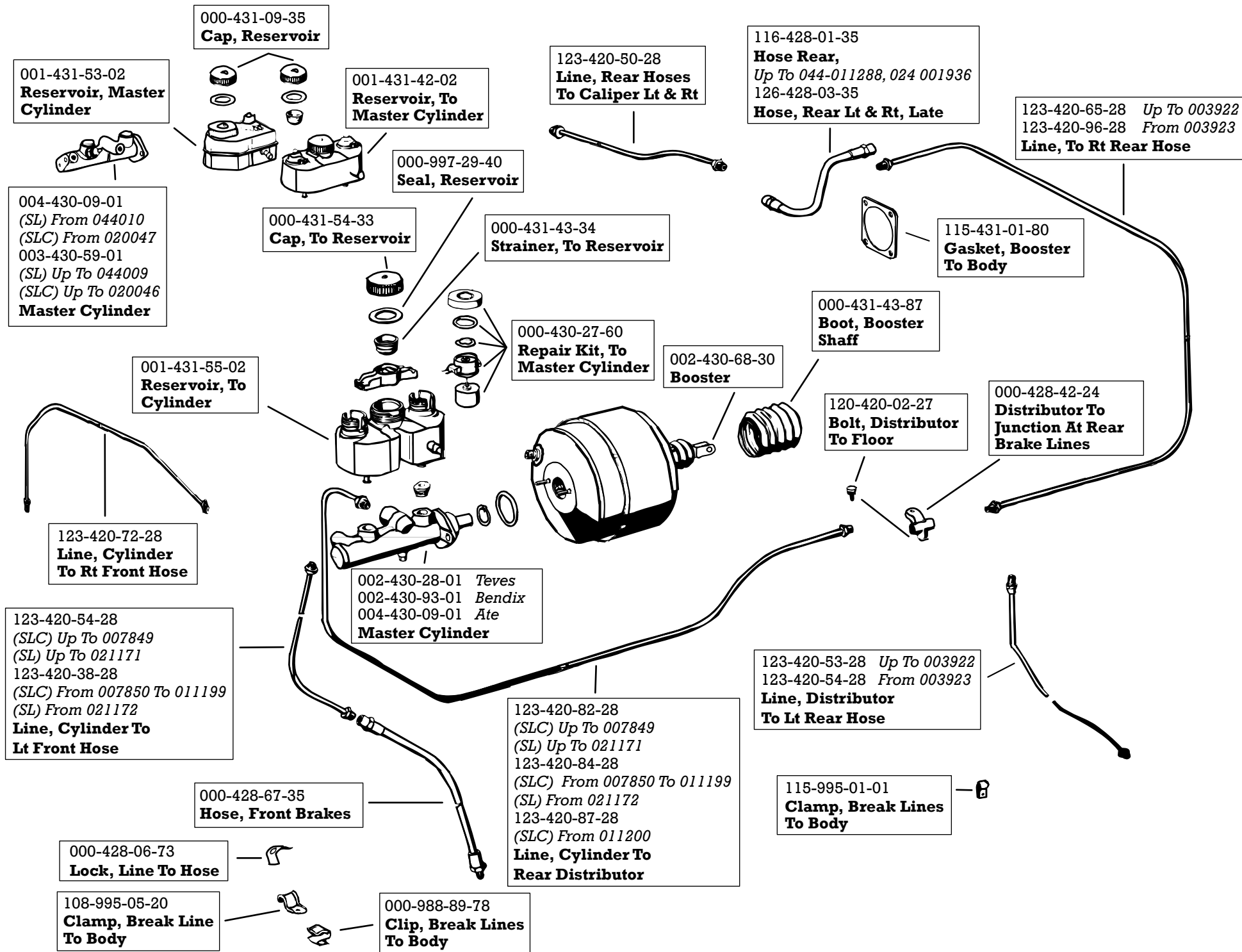
Core charges are billed at shipping with applicable parts. We will refund the core charge when we receive your rebuildable core. Call for applicable core fees.

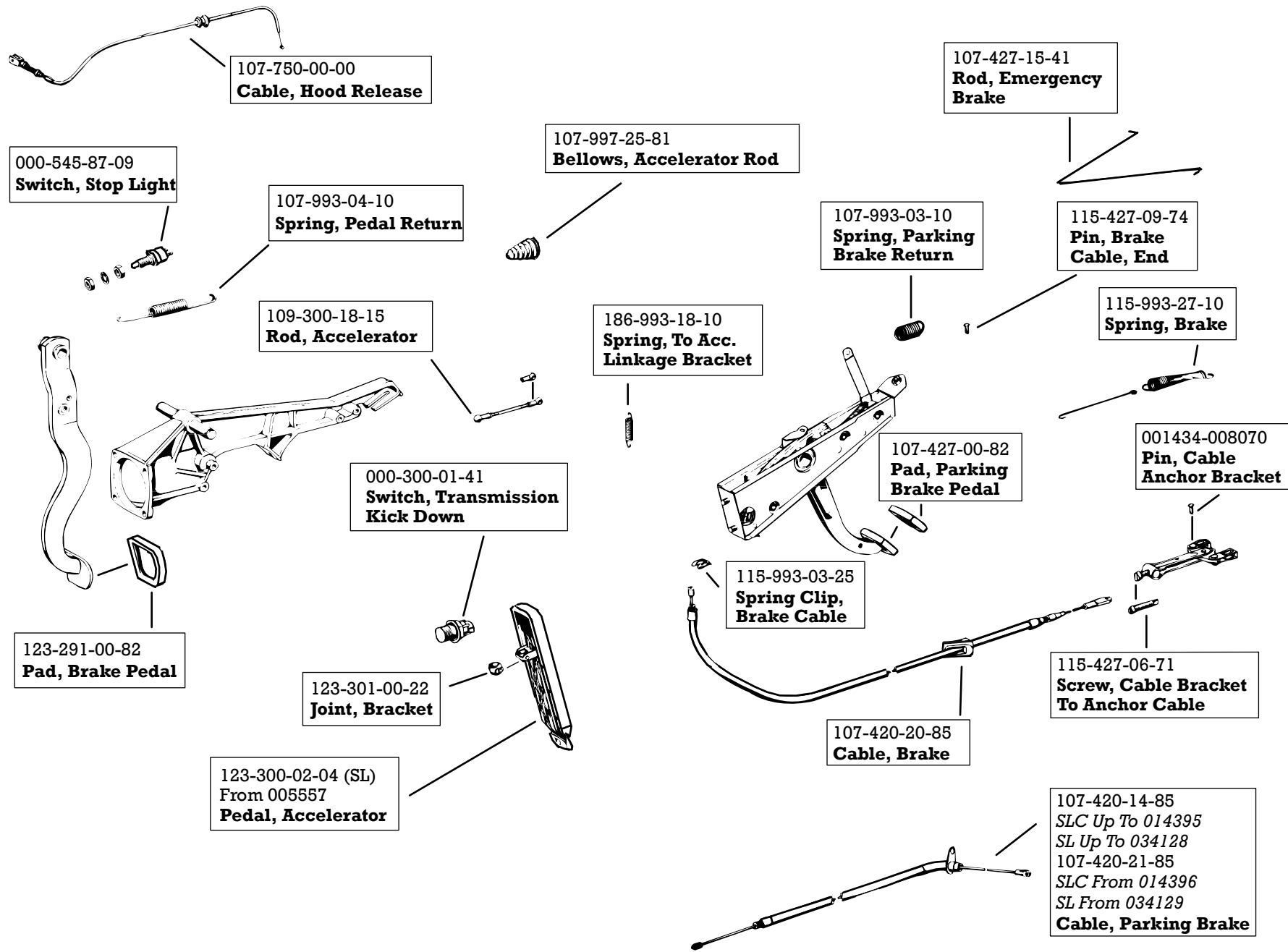


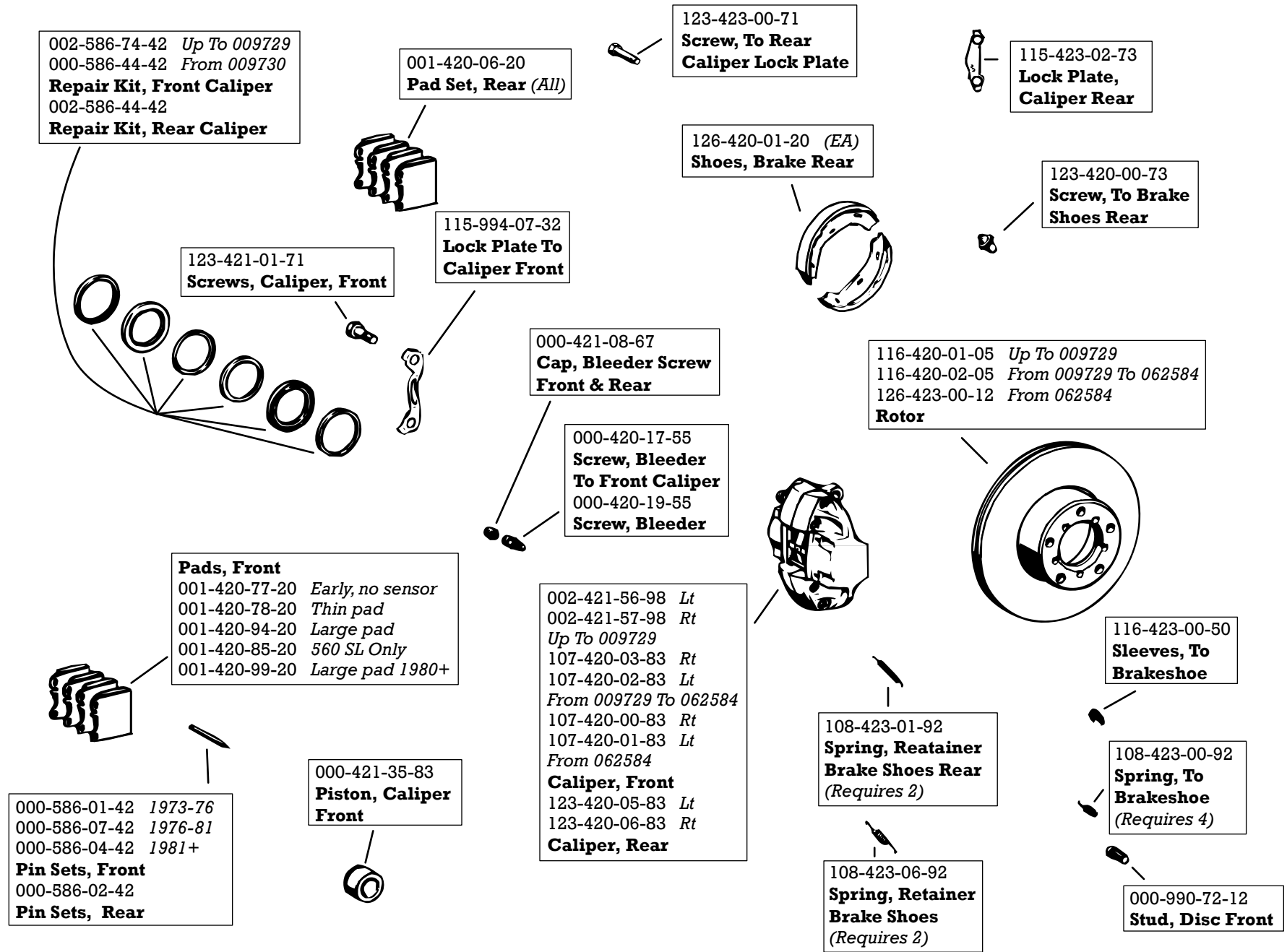


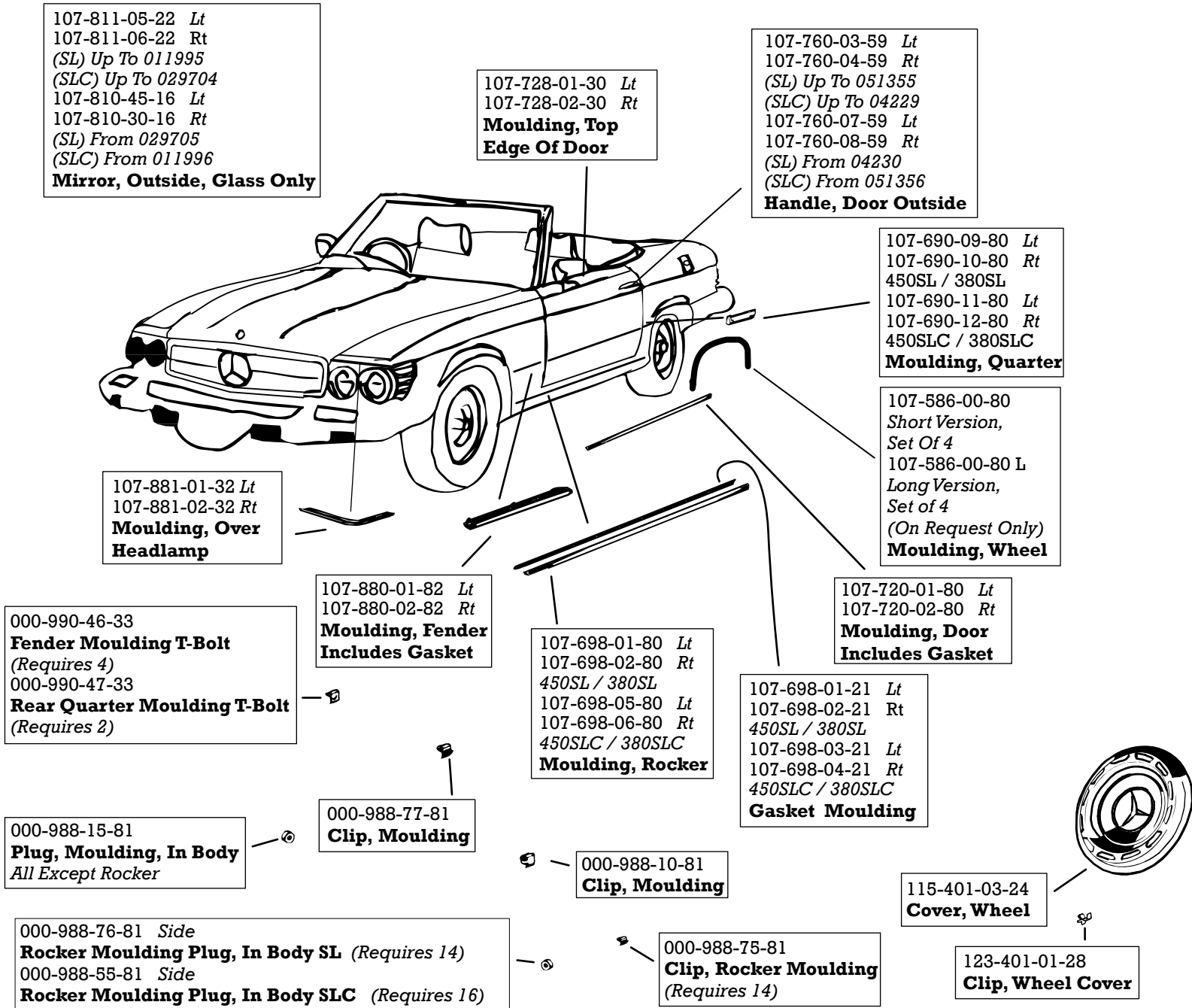


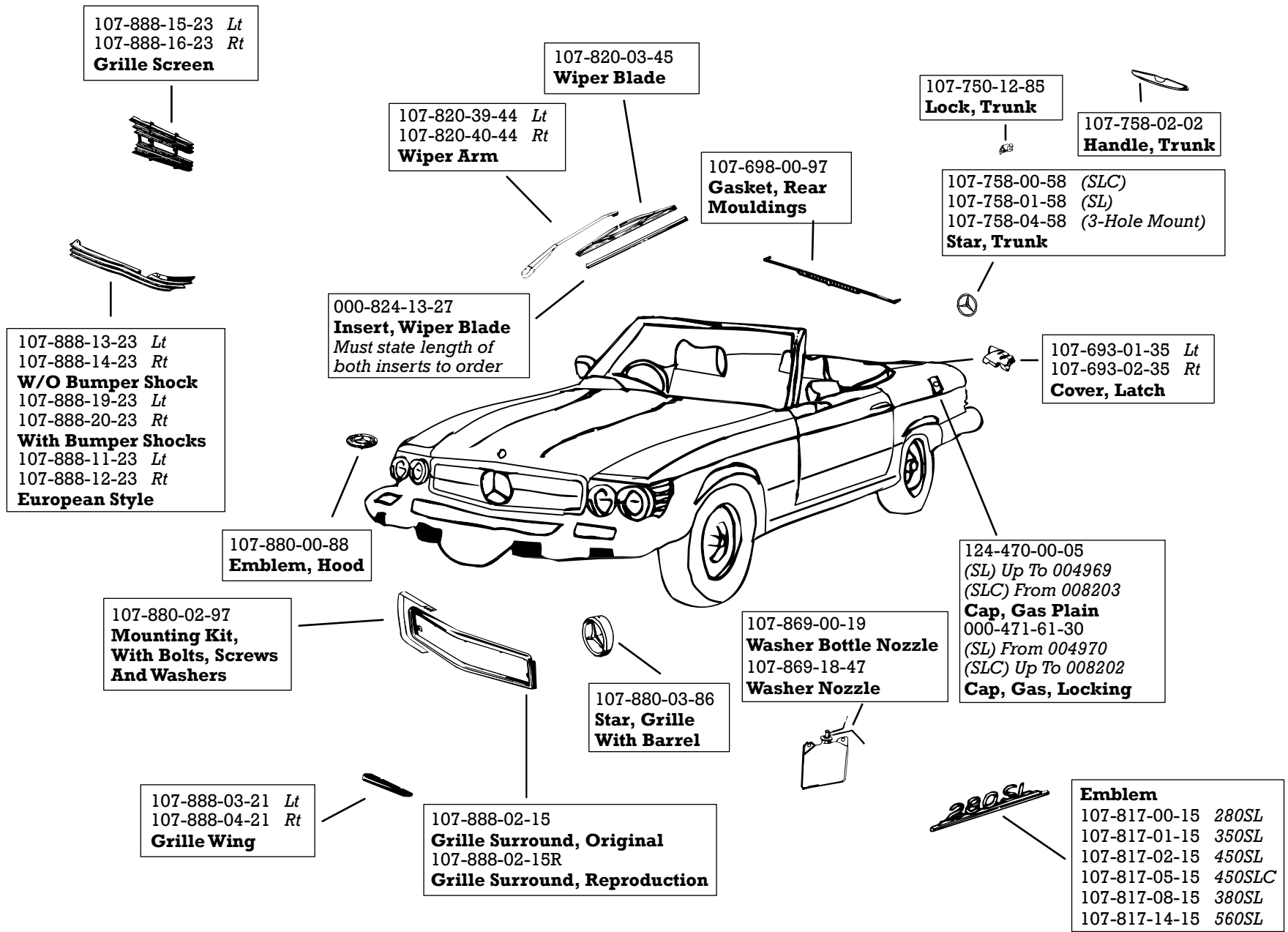


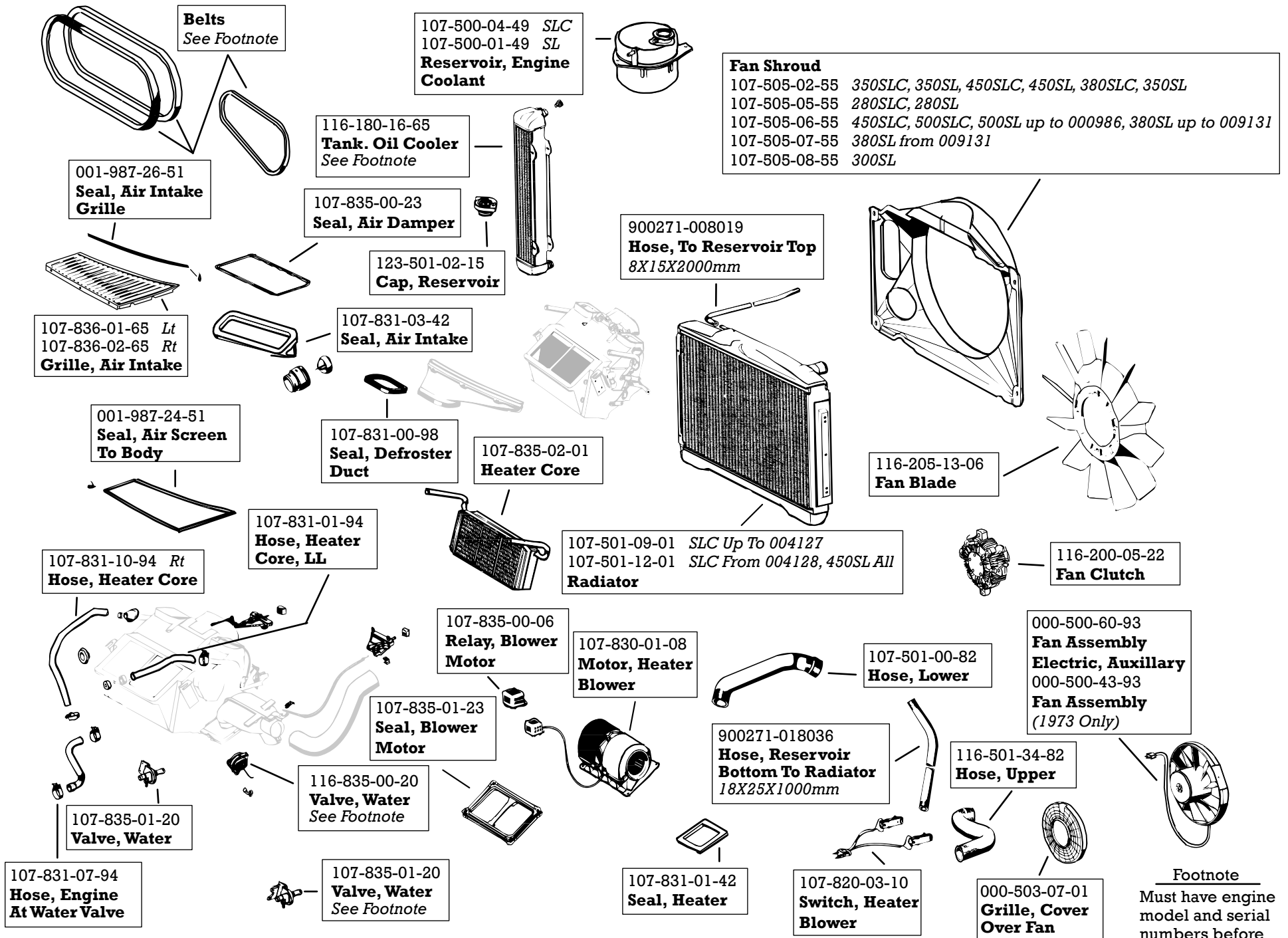




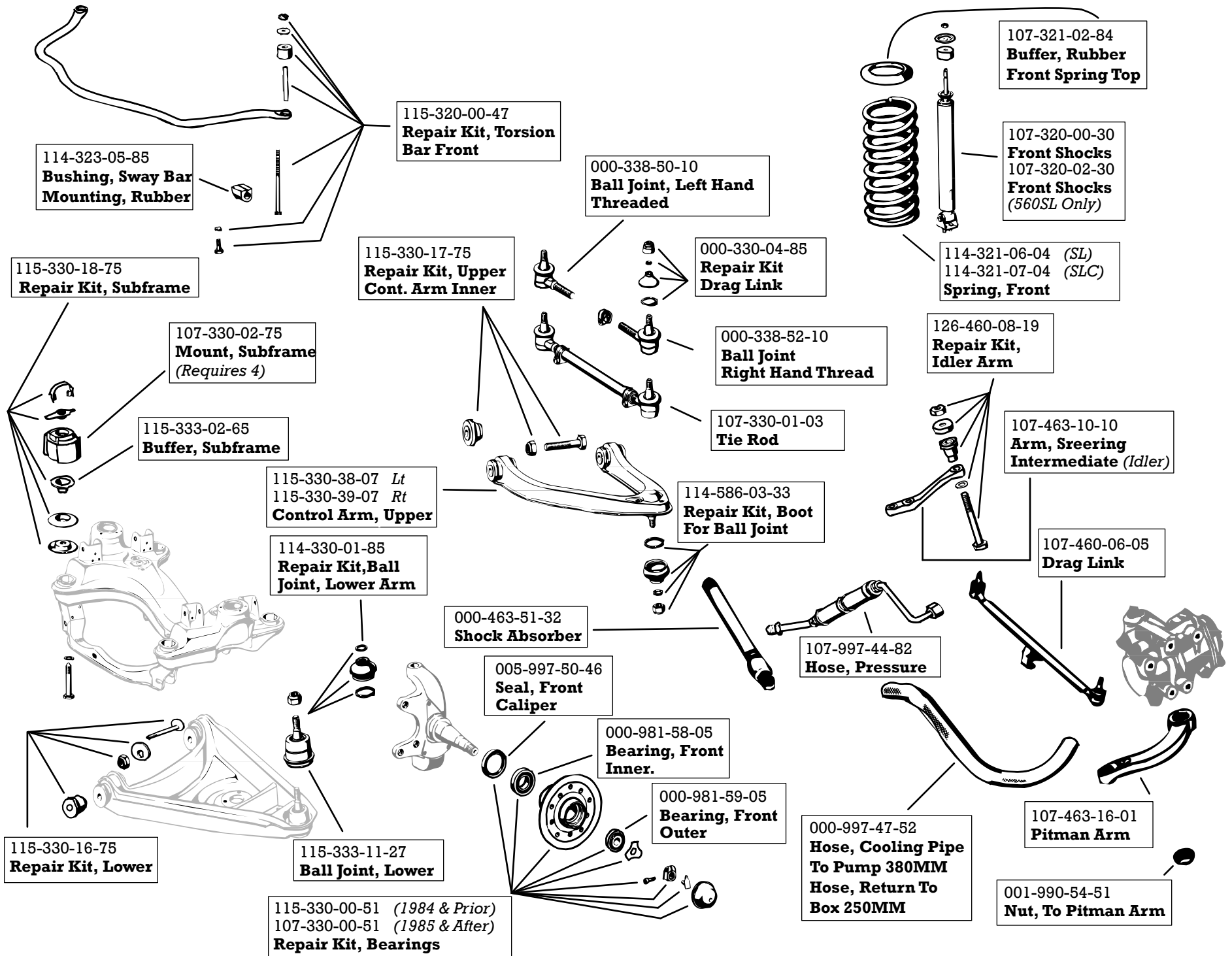


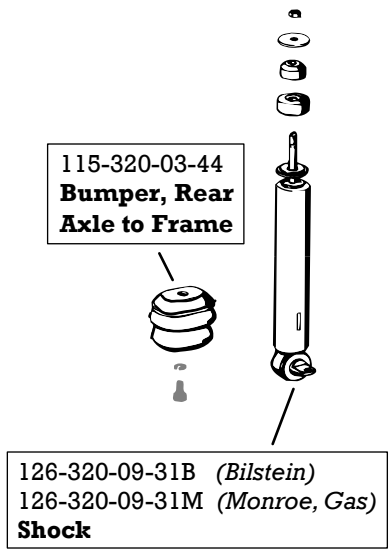
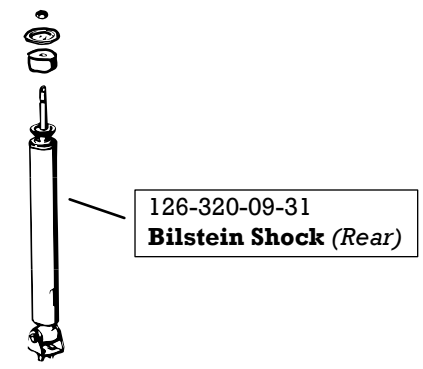
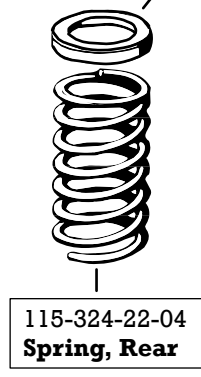
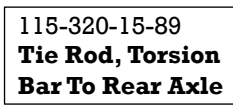
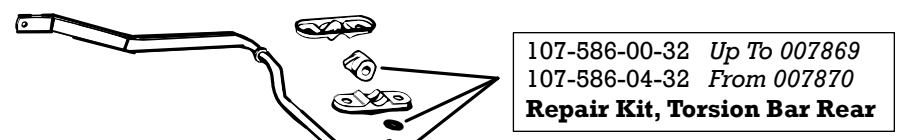


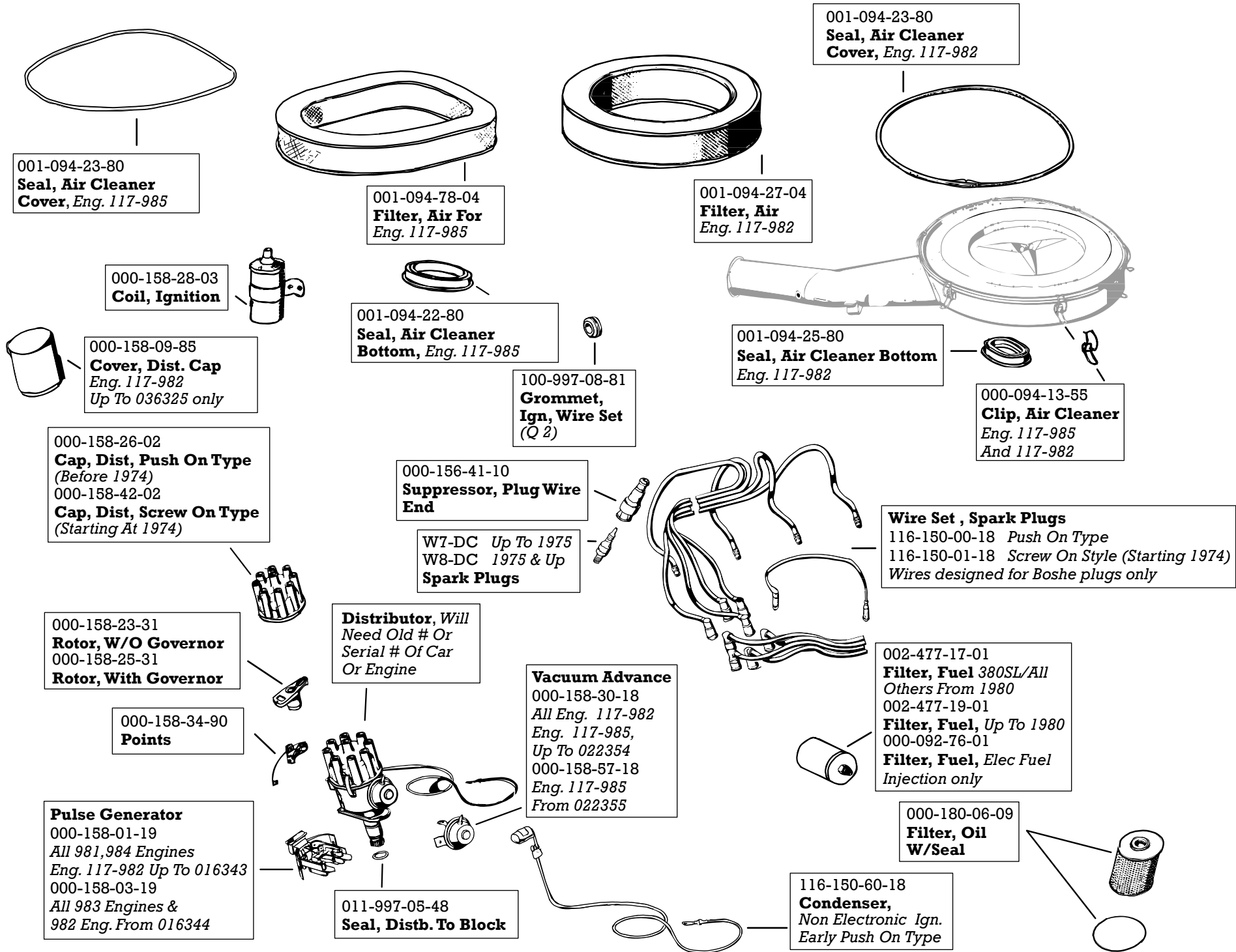


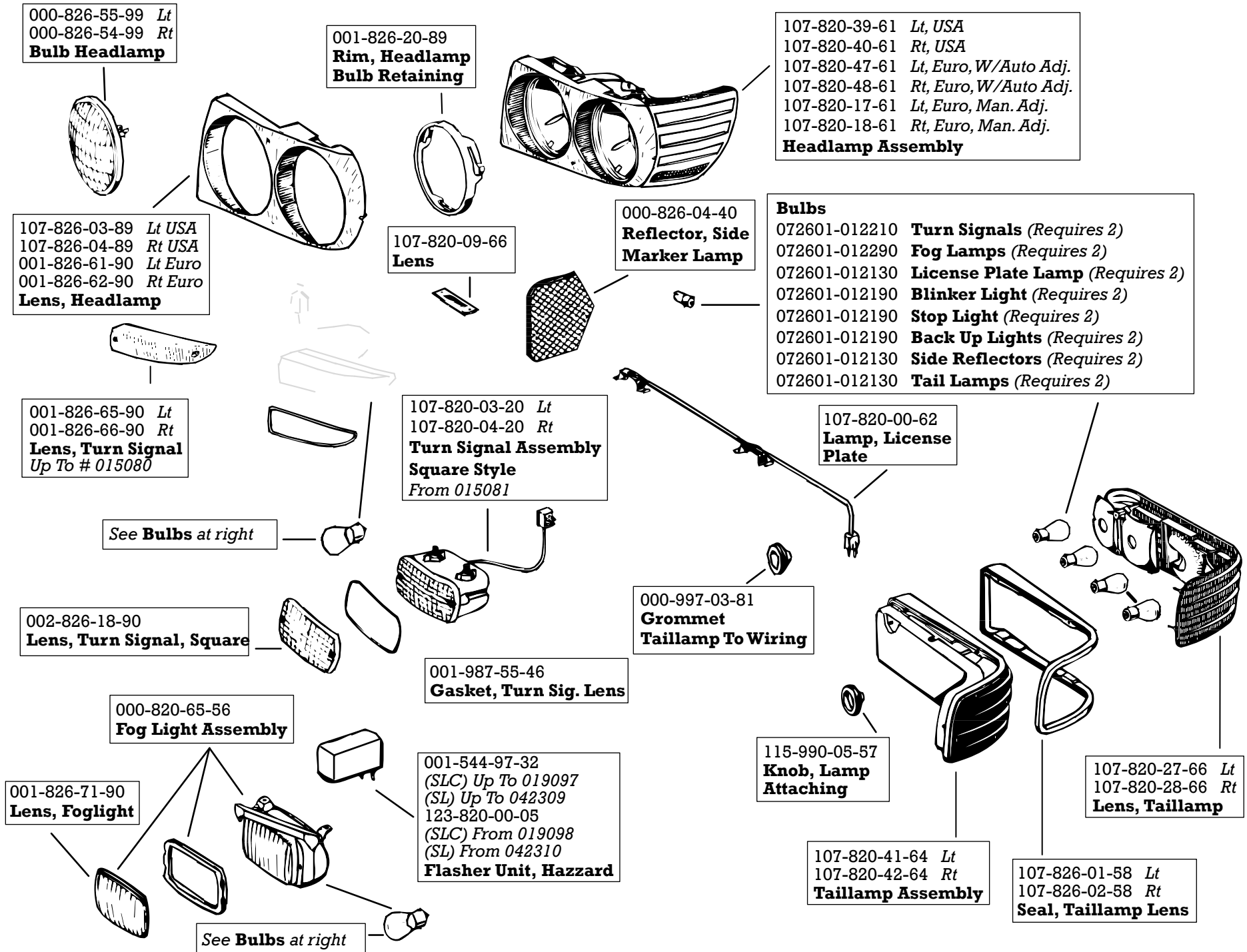


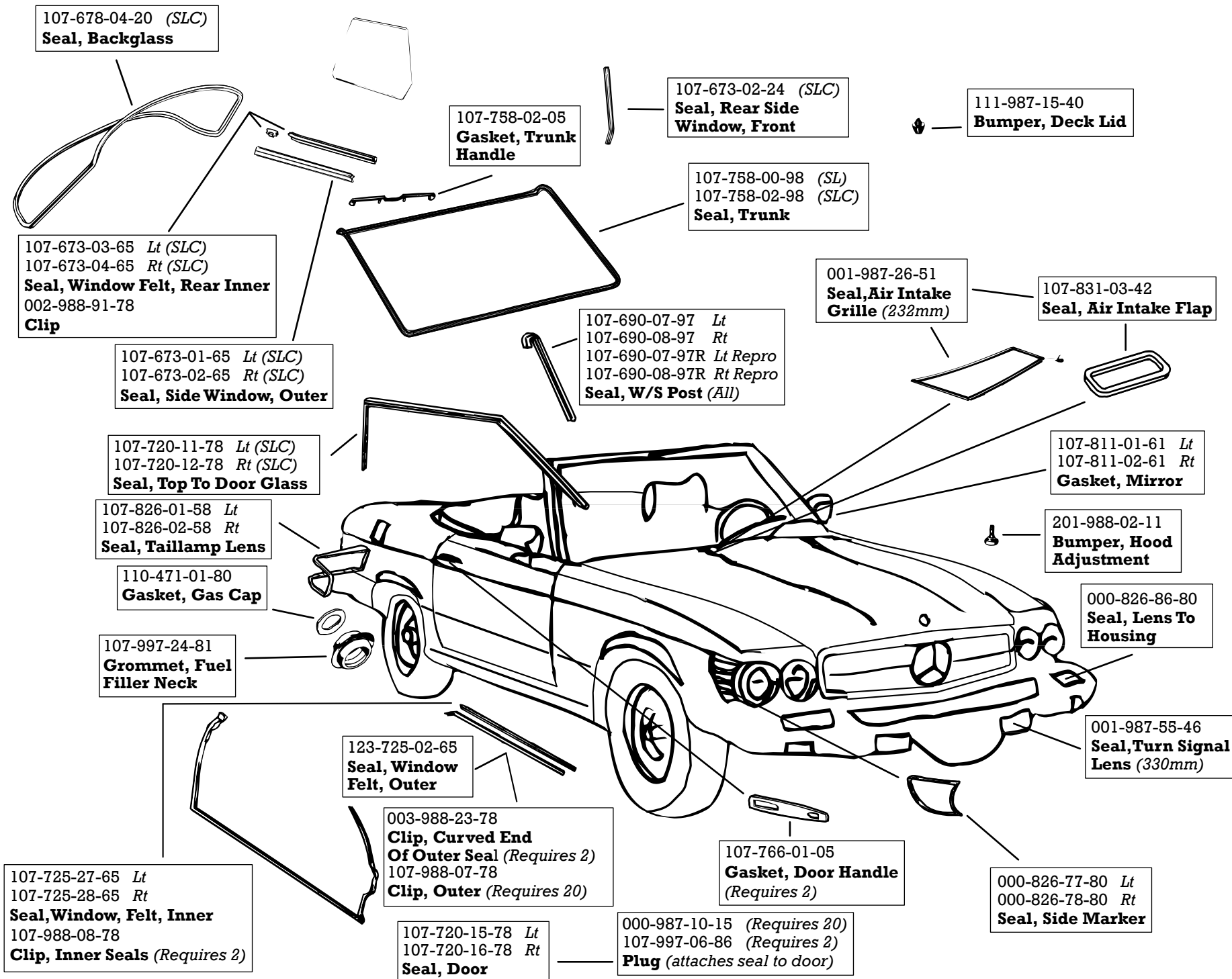
Footnote
Must have engine model and serial numbers before ordering

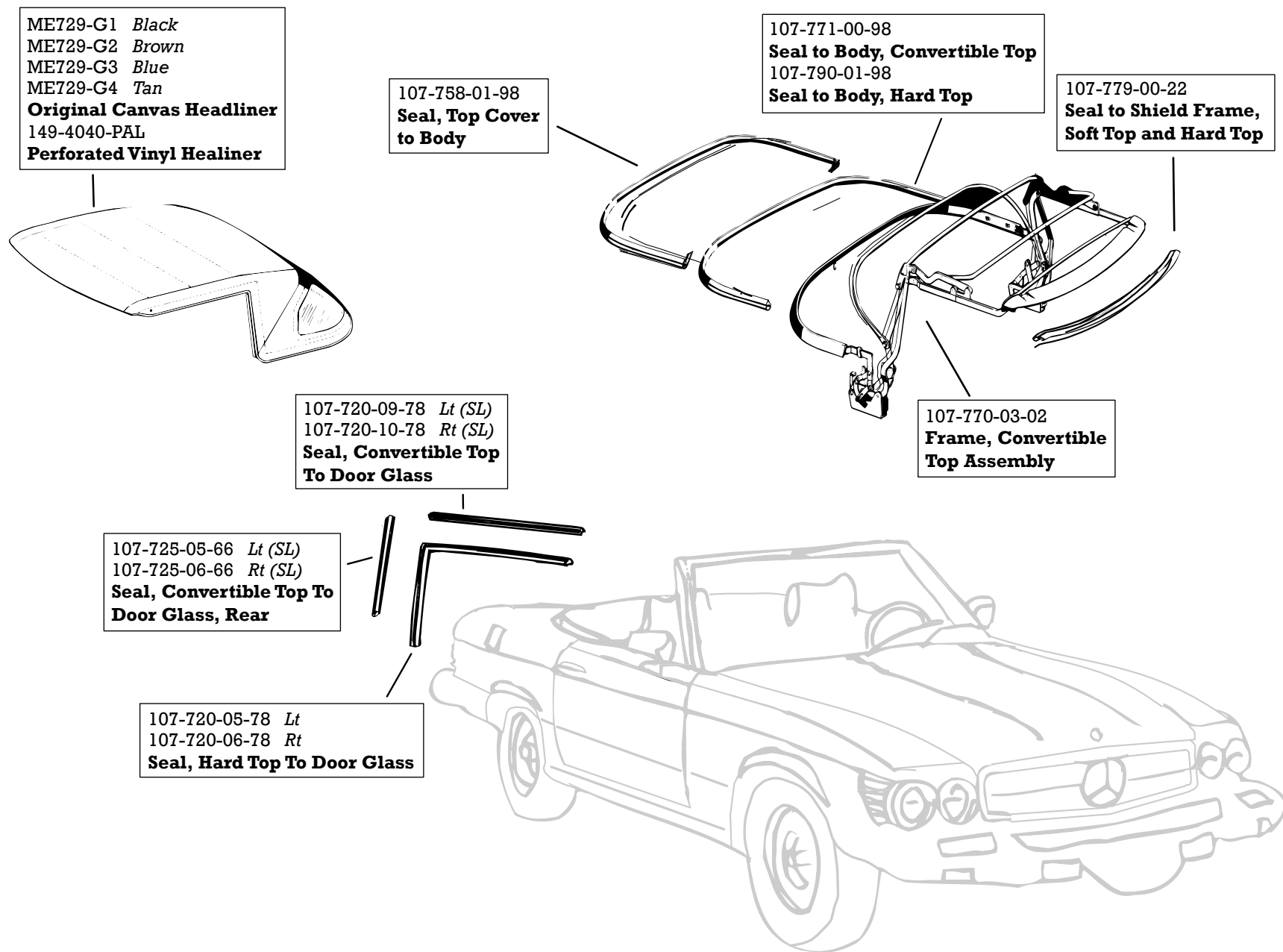


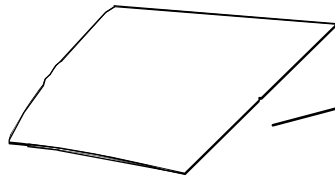






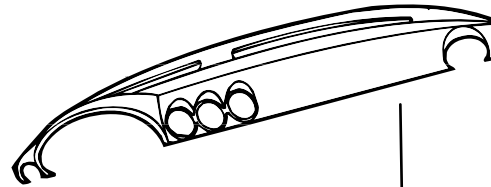






107-682-03-26
Hood Insulation

107-684-09-05
Mat, Trunk, Fibrous



107-680-00-87R
Dash Covering
3 Colors Available: Black, Brown, or Blue

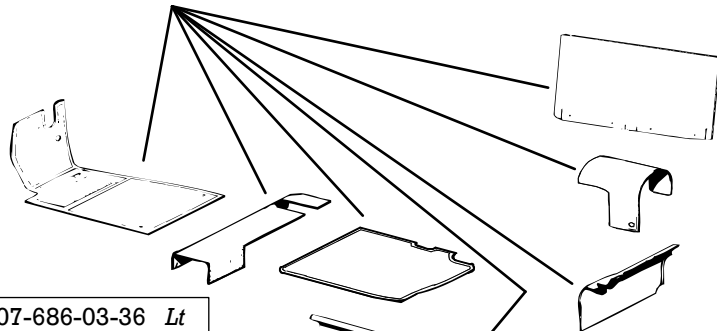
107-680-20-50
Console, Center
Need Trim Code For Color



107-914-02-14
Cushion, Bottom
107-914-00-16
Cushion, Back
Excellent Reproduction

107-Carpet-1
Carpet Set, All Colors
Multi-Loop or Velour

107-Carpet-Tr
Carpet, Trunk, Multi-Loop or Velour

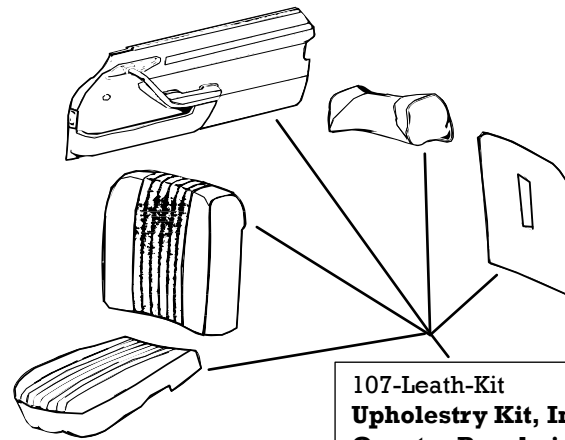
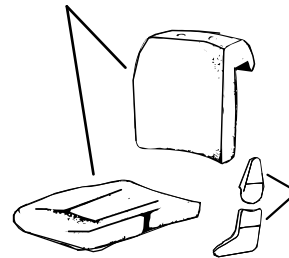


107-686-03-36 Lt
107-686-04-36 Rt
Up To 035423
Cover, Sill, Inner

Sill Trim
107-686-07-36 Lt (SLC only)
107-686-08-36 Rt (SLC only)
Up To 010806
107-686-10-36 Rt (SLC only)
From 010807 (Special Order)

107-686-01-80
Mat, Sill Entrance
Both Sides, Black

Seat Cover
107-913-03-28 Lt Seat, Upper Lt
107-913-04-28 Rt Seat, Upper Lt
107-913-05-28 Rt Seat, Upper Rt
107-913-06-28 Lt Seat, Upper Rt
107-913-13-28 Lower Lt (Requires 2)
107-913-14-28 Lower Rt (Requires 2)



107-Leath-Kit
Upholestry Kit, Includes Rear Quarter Panel pieces (Leather)
Same As Above in Vinyl
Available with no armrest

107-RrSLC-Kit
Leather Above
Same Kit In Vinyl

